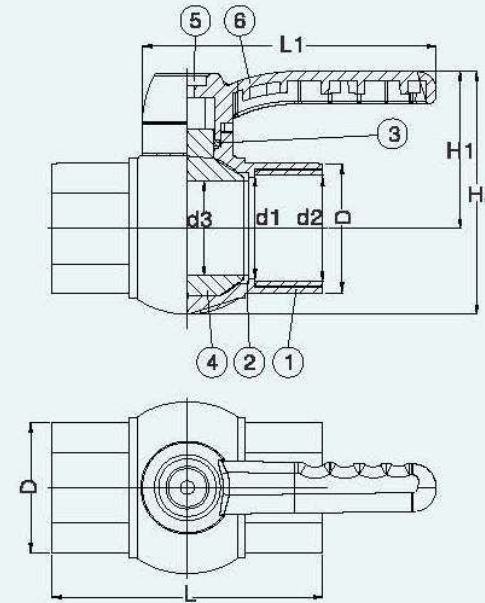


NO.	PART	MATERIAL	QTY
1	BODY	U-PVC	1
2	SEAT SEAL	TPE	2
3	STEM O-RING	NBR/EPDM	1
4	BALL	PP	1
5	HANDLE	ABS/PP/U-PVC	1
6	CAP	ABS/PP	1



NO.	PART	MATERIAL	QTY
1	BODY	U-PVC	1
2	SEAT SEAL	TPE	2
3	STEM O-RING	NBR/EPDM	1
4	BALL	PP	1
5	HANDLE	ABS/PP/U-PVC	1
6	CAP	ABS/PP	1



ITEM	SIZE	d3	D	L	L1	H2
XE02051	1/2"	15	28.6	70.0	82.6	60.1
XE02052	3/4"	20	33.7	84.0	86.7	72.6
XE02053	1"	25	41.1	97.3	101.1	84.5
XE02054	1-1/4"	32	50.0	106.4	115.0	93.5
XE02055	1-1/2"	40	58.0	121.4	130.0	108.8
XE02056	2"	50	70.7	138.5	149.0	127.9



ITEM	SIZE	d3	D	L	L1	H2
XE02057	2-1/2"	65	88.0	170.5	179.3	150.3
XE02058	3"	80	105.7	211.5	206.4	181.7
XE02059	4"	100	130.8	256.3	242.5	208.0