

TYPE 600

BRASS BALL VALVE

One-piece body, Blowout-proof Stem,
Threaded ends to BS21 or NPT

W.O.G. non-shock 4.14 MPa (600 psi), W.O.G. 150°C 1.03 MPa (150 psi)



Fig. TK

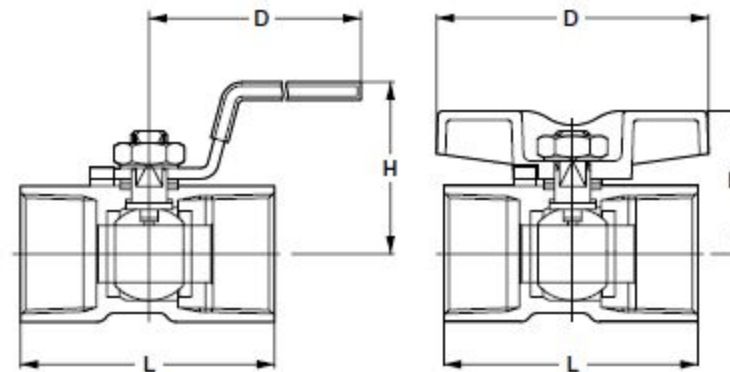
- Threaded end to BS21

Fig. AKTK

- Threaded end to ASME B1.20.1
- AKTK 1/4 to 2

Fig. TKT

- Threaded end to BS21



Materials

Parts	Material
Body	Brass
Body cap	Brass
Stem	Dezincification Resistant Brass
Ball	Brass*
Ball seat	Reinforced PTFE
Grand packing	Reinforced PTFE

*Chrome or Nickel-chrome plated

Dimensions

Nominal Size	mm									
	Inch	1/8	1/4	3/8	1/2	3/4	1	1 1/4	1 1/2	2
L Threaded end to end	mm	6	8	10	15	20	25	32	40	50
H Height		32	39	44	56.5	59	71	78	83	100
H1 TKT: Height		31	31	36	41	44	48	54	65	72
D Length of Handle		23	23	27	31	34	42	48	53	60
D1 TKT: Length of Handle		60	60	70	85	85	100	100	125	125
		35	35	40	60	60	76	76	100	100