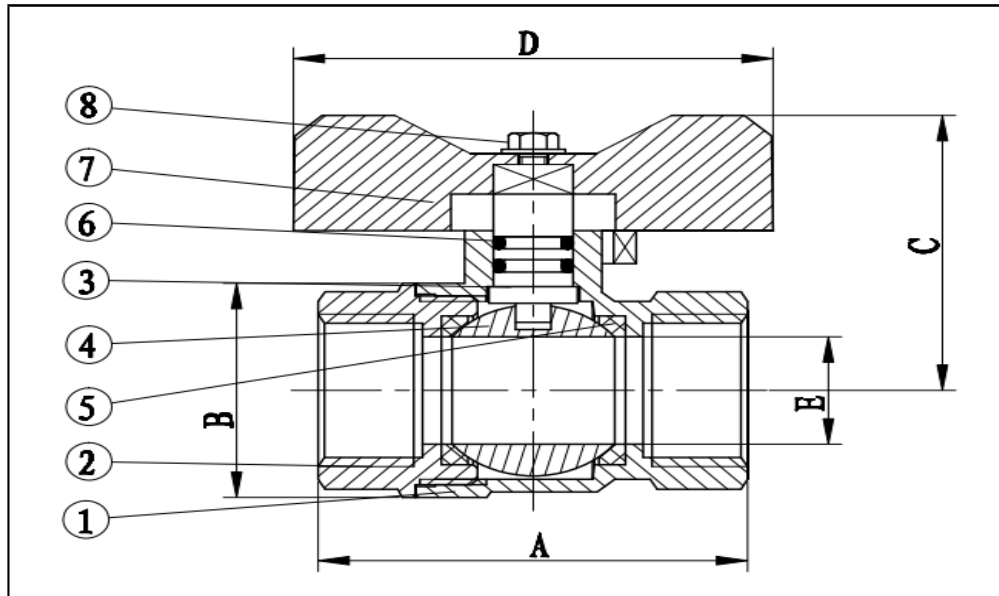




LL1043 BRASS BALL VALVE NICKEL PLATED



NO	Parts	Material
1	Body	Brass
2	Bonnet	Brass
3	Stem	Brass
4	Ball Seat	PTFE
5	Ball	Brass
6	O rings	NBR
7	Handle	Alumium
8	Nut	Stainless Steel 201#

Brass Ball Valve , Standard Bore

- Suitable for water services, heating and air-conditioning plants, compressed air systems.

- minimum and maximum working temperature: -10°C, 120°C.

- Threads : ISO228 (equivalent to DIN259 and BS2779)

- Opening / Closing tests : 20,000 times

Dimension:mms	1/4"	3/8"
A	40	41
B	23	23
C	35	36
D	54	54
E	9	10
PN	25	25