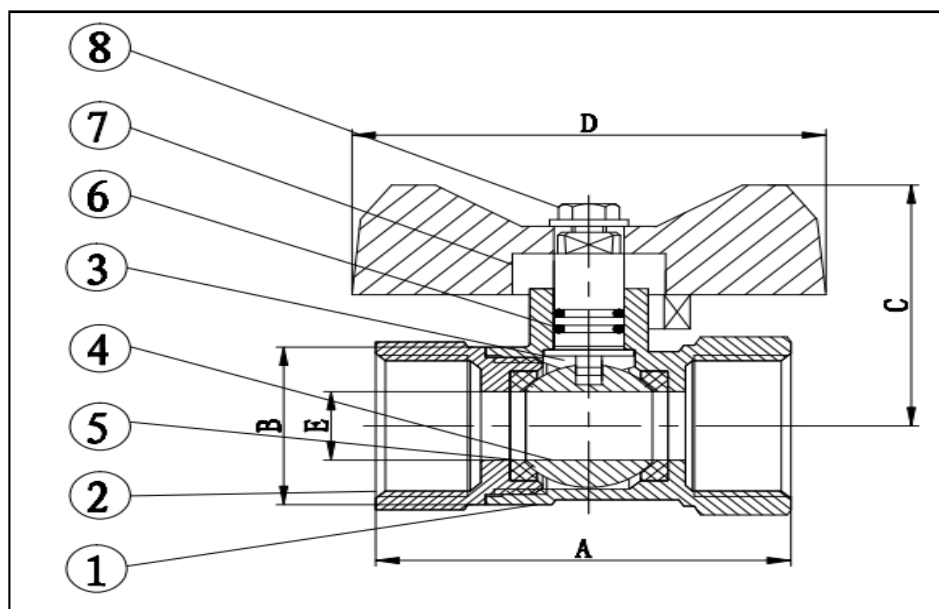




LL1163

BRASS BALL VALVE



NO	Parts	Material
1	Body	Brass
2	Bonnet	Brass
3	Stem	Brass
4	Ball Seat	PTFE
5	Ball	Brass
6	O rings	NBR
7	Handle	Alumium
8	Nut	Stainless Steel 201#

Brass Ball Valve - nickle plated, reduced flow, T handle

- Suitable for water services, heating and air-conditioning plants, compressed air systems.

- minimum and maximum working temperature: -10°C, 120°C.

- Threads : ISO228 (equivalent to DIN259 and BS2779)

- Opening / Closing tests : 20,000 times

Dimension:mms	1/2"	3/4"	1"
A	47.3	50	61
B	23	29.5	35
C	35.5	39	44
D	54	54	60
E	10	14.8	19
PN	16	16	16