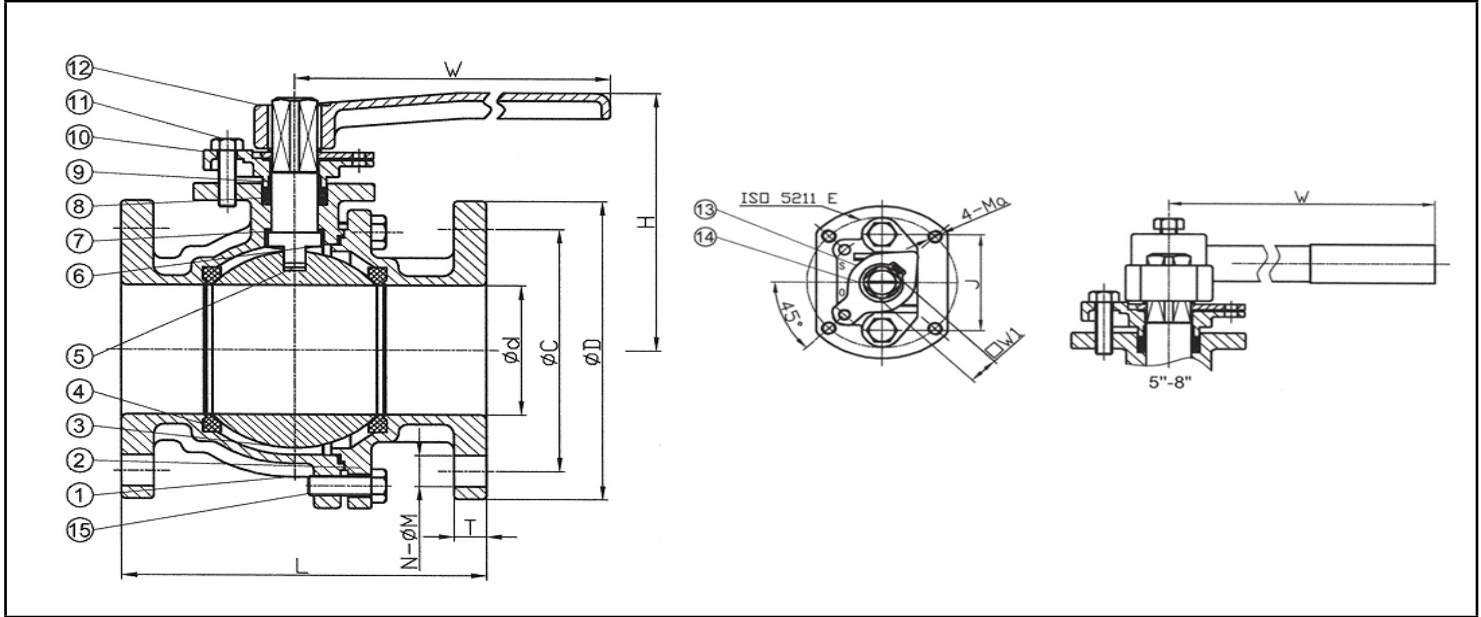


PP CAST IRON BALL VALVE



DIMENSIONS: 10CIBF

SIZE	d	D	C	T	N-ØM	L	H	W	W1	J	ISO 5211	E	Ma
15	15	95	70	13	4-Ø 15	110	70	160	12	50	F04	42	M5
20	20	100	75	15	4-Ø 15	120	73	160	12	50	F04	42	M5
25	25	125	90	15	4-Ø 19	130	77	160	12	50	F05	50	M6
32	32	135	100	17	4-Ø 19	140	85	160	12	50	F05	50	M6
40	40	140	105	17	4-Ø 19	165	104	186	17	62	F07	70	M8
50	50	155	120	17	4-Ø 19	180	114	186	17	62	F07	70	M8
65	65	175	140	20	4-Ø 19	190	142	324	21	75	F07	70	M8
80	80	185	150	21	8-Ø 19	200	153	324	21	75	F10	102	M10
100	100	210	175	21	8-Ø 19	230	166	324	21	75	F10	102	M10
125	125	250	210	24	8-Ø 23	300	224	750	24	89	F12	125	M12
150	150	280	240	26	8-Ø 23	340	247	750	24	89	F12	125	M12

DIMENSIONS: 125CIBF

SIZE	d	D	C	T	N-ØM	L	H	W	W1	J	ISO 5211	E	Ma
1/2"	15	89	60.5	12	4-Ø 16	108	70	160	12	50	F04	42	M5
3/4"	20	98	70	12	4-Ø 16	117	73	160	12	50	F04	42	M5
1"	25	108	79.5	12	4-Ø 16	127	77	160	12	50	F05	50	M6
1-1/4"	32	117	89.5	14	4-Ø 16	140	85	160	12	50	F05	50	M6
1-1/2"	40	127	98.5	16	4-Ø 16	165	104	186	17	62	F07	70	M8
2"	50	152	120.5	18	4-Ø 19	178	114	186	17	62	F07	70	M8
2-1/2"	65	178	139.5	20	4-Ø 19	190	142	324	21	75	F07	70	M8
3"	80	190	152.5	20	4-Ø 19	203	153	324	21	75	F10	102	M10
4"	100	229	190.5	23.9	8-Ø 19	229	166	324	21	75	F10	102	M10
5"	125	254	216	23.9	8-Ø 22	356	224	750	24	89	F12	125	M12
6"	150	279	241.5	25.4	8-Ø 22	394	247	750	24	89	F12	125	M12
8"	200	343	298.5	28.6	8-Ø 22	457	305	1000	32	100	F12	125	M12

NO.	PART NAME	MATERIAL
1	BODY	FC20
2	CAP	FC20
3	BALL	CF8
4	SEAT	PTFE
5	STEM	SUS304
6	GASKET	PTFE
7	THRUST WASHER	PTFE
8	PACKING	PTFE
9	STEM PACKING	PTFE
10	GLAND	SS41
11	GLAND BOLT	S41C
12	HANDLE	WCB
13	STOPPER	SUS304
14	SNAP RING	SUS304
15	BOLT	S41C

TEST PRESSURE: JIS 10K

SHELL (BY WATER)	2.1 Mpa
	21.5kg/cm ²
SEAT	BY WATER
	BY AIR
	1.6MPa
	16.5kg/cm ²
	0.6MPa
	6kg/cm ²

TEST PRESSURE: ANSI 125

SHELL (BY WATER)	450PSI
	32 kg/cm ²
SEAT	BY WATER
	BY AIR
	315PIS
	22kg/cm ²
	85 PIS
	6kg/cm ²