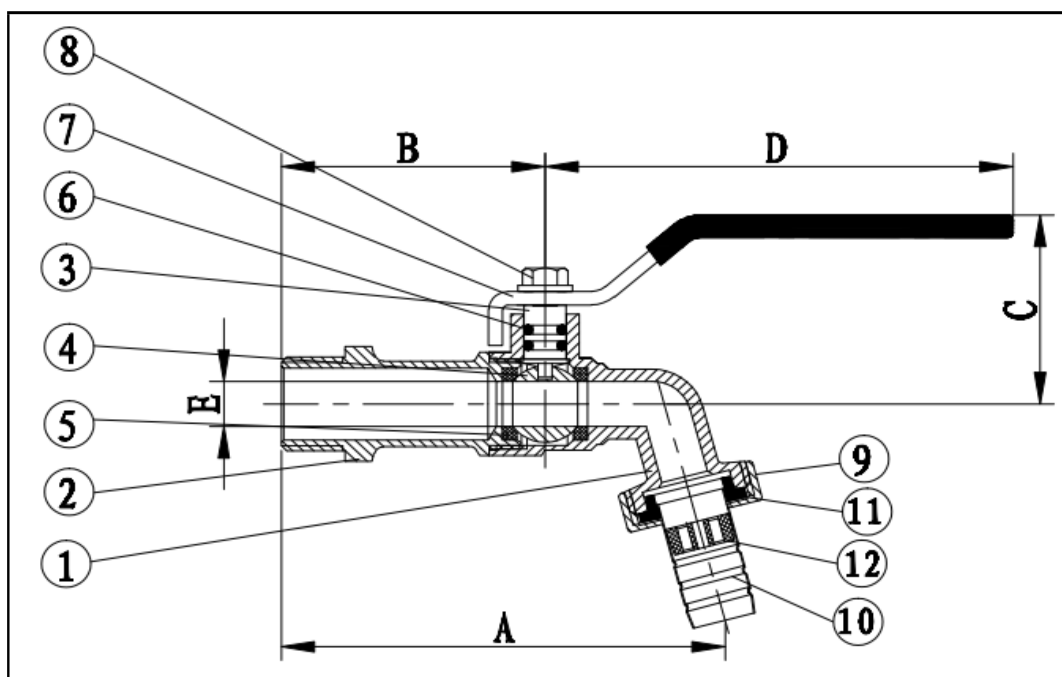




LL 2001

BRASS BIBCOCK



NO	Parts	Material
1	Body	Brass
2	Body	Brass
3	Stem	Brass
4	Ball Seat	PTFE
5	Ball	Brass
6	O rings	NBR
7	Handle	Steel
8	Nut	Stainless Steel 201#
9	Cap	Brass
10	Outlet	Stainless Steel 201#
11	Seal	NBR
12	Water Diversion	Plastic

BALL BIBCOCK, WITH CONNECTION, FLAT LEVER HANDLE

Minimum and maximum working temperature:
-10°C, 100°C

Threads: ISO228 (equivalent to DIN259 and BS2779)

opening/closing tests: 1000 times

Dimension:mms	1/2"
A	93
B	56
C	39
D	95
E	10
PN	16