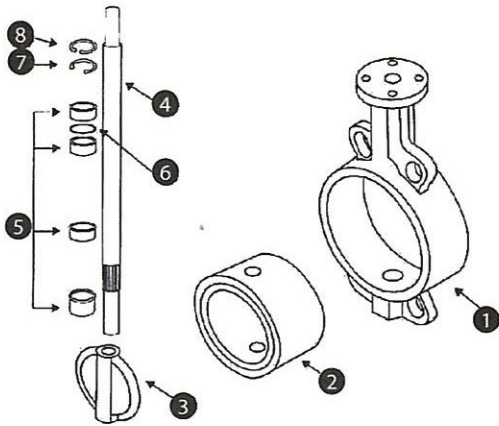


# BUTTERFLY VALVE MODEL A101,A102

## TECHNICAL SPECIFICATION AND DIMENTION



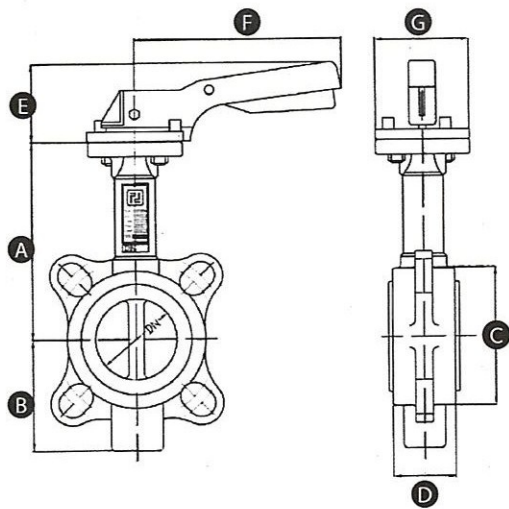
S/N	PART NAME	MATERIAL
1	Body	Cast Iron(GG25)
2	Liner	EPDM
3	Disc	A101: AISI 304 A102: Ductile Iron + Nickle Plated
4	Shaft	AISI 416
5	Bushing	Teflon
6	O-Ring	Buna-N
7	Washer	Steel
8	Circlip	Steel

Operating Pressure : 200PSI - 2"to12", 150PSI -14"

Operating Temperature : 110 °C

Applicable Fluids : Water, Warm Water, Sea Water, air& Weak Acid

Flanges Standard : JIS 10K, ANSI 150 PSI, DIN 10/16



## HAND LEVER BUTTERFLY VALVE

NORMAL PIPE SIZE(DN)		A	B	C	D	E	F	G
MM	INS	MM	MM	MM	MM	MM	MM	MM
50	2	136.5	77	90	43	71	197	65
65	2.1/2	141.5	78.5	107	46	71	197	65
80	3	158	96	123	46	71	197	65
100	4	180.5	106	153	52	71	197	65
125	5	192	119.5	181	56	80	278	90
150	6	215.7	143	206	56	80	278	90
200	8	242	170	261	60	45	360	125

## WORM GEAR BUTTERFLY VALVE

NORMAL PIPE SIZE (DN)		A	B	C	D	E	F	G	H	K
MM	INS	MM	MM	MM	MM	MM	MM	MM	MM	MM
200	8	242	170	261	60	284	241.5	63	194.2	300
250	10	279.5	203	318.5	68	319.5	241.5	63	194.2	300
300	12	309	233	373	78	349.5	226	78	194.2	300
350	14	337	258.5	418	78	376.5	226	78	194.2	300

